

# Fittings for hanging doors


ALUMINIUM AND STEEL FITTINGS FOR HANGING SLIDING DOORS.

	<i>pp.</i>
1 "MASTER LUX" .....	622
<hr/>	
2 "MASTER MAS" <b>-INDA-matic</b> .....	626
<hr/>	
3 "GHOST" .....	630
<hr/>	
4 "SISTEMA-4" <b>-INDA-matic</b> .....	633

# 1 "MASTER LUX"


THIS ALUMINIUM SYSTEM ALLOWS FOR 25-30-40-50MM. DOOR THICKNESSES. EACH FITTING HAS TWO DISTANCES FROM THE DOOR TO THE FLOOR 17 AND 33MM.

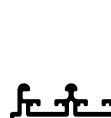
## UPPER TRACK.

	CUT-TO-MEASURE	6 M BARS	
NATURAL	707.000.501	707.060.502	6

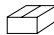


## HEAVY DUTY UPPER TRACK.

	CUT-TO-MEASURE	6 M BARS	
NATURAL	707.100.505	707.160.506	4




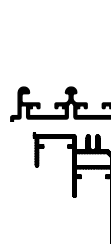
## LOWER TRACK.

	CUT-TO-MEASURE	6 M BARS	
NATURAL	707.300.506	707.360.500	4




## SET OF UPPER AND LOWER TRACK.

	CUT-TO-MEASURE	
NATURAL	707.200.502	1




## 30MM DUST GUARD FOR EXTERIOR DOOR.

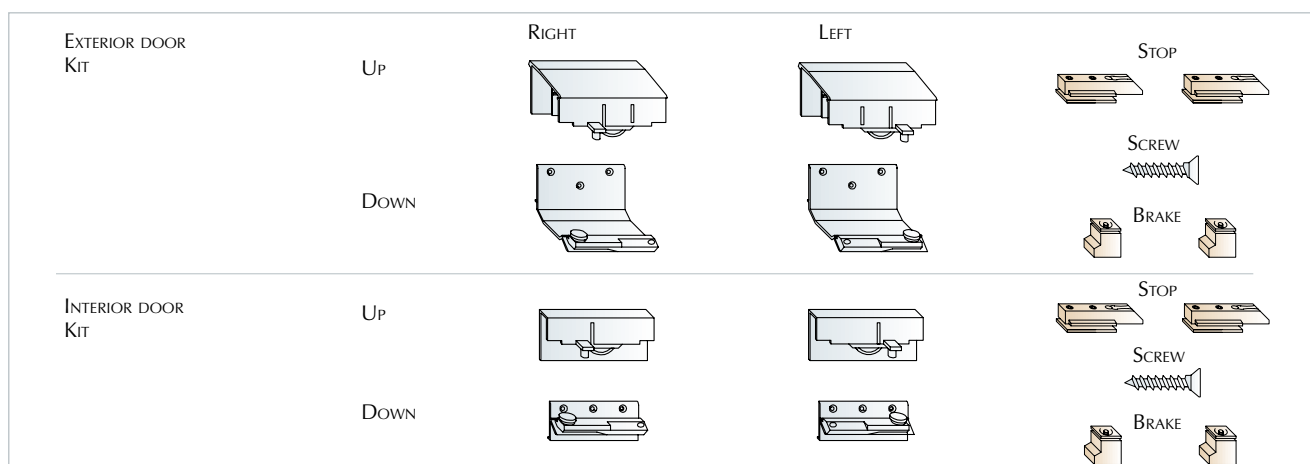
LENGHT		
760	704.908.142	5
860	704.909.144	
960	704.910.146	
1060	704.911.141	



## MASTERLUX FITTING PACKS.

LOAD	SKIRTING BOARD	INTERIOR DOOR	EXTERIOR 30MM.	EXTERIOR 40MM.	EXTERIOR 50MM.	
50Kg.	17MM.	706.900.106	706.800.102			1
	33MM.	705.100.104	705.000.100			
100Kg.	17MM.	706.910.105	706.810.101	706.840.105		
	33MM.	705.110.103	705.010.106		706.850.104	

IT CONTAINS THE UPPER AND LOWER ROLLERS, BRAKES, STOPS AND FIXING SCREWS Ø3.9 X 13 NECESSARY FOR ONE DOOR.

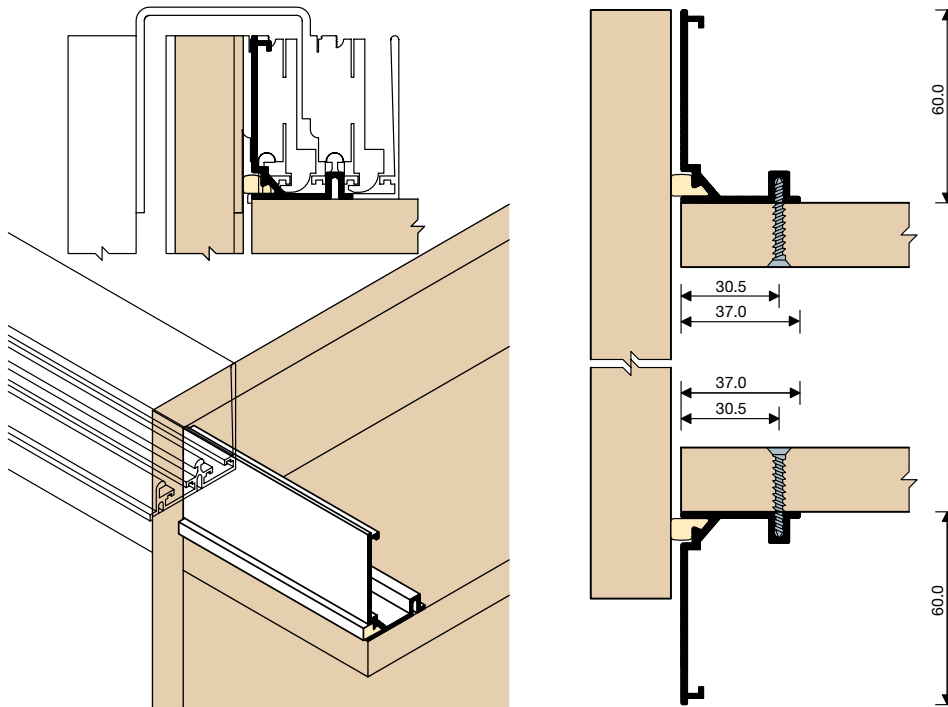


■ "ALTER" SYSTEM

ALUMINIUM TRACK THAT GIVES CONTINUITY TO THE CUPBOARD'S STRUCTURE WHEN LEAF DOORS ARE USED ALONGSIDE SLIDING SYSTEMS.

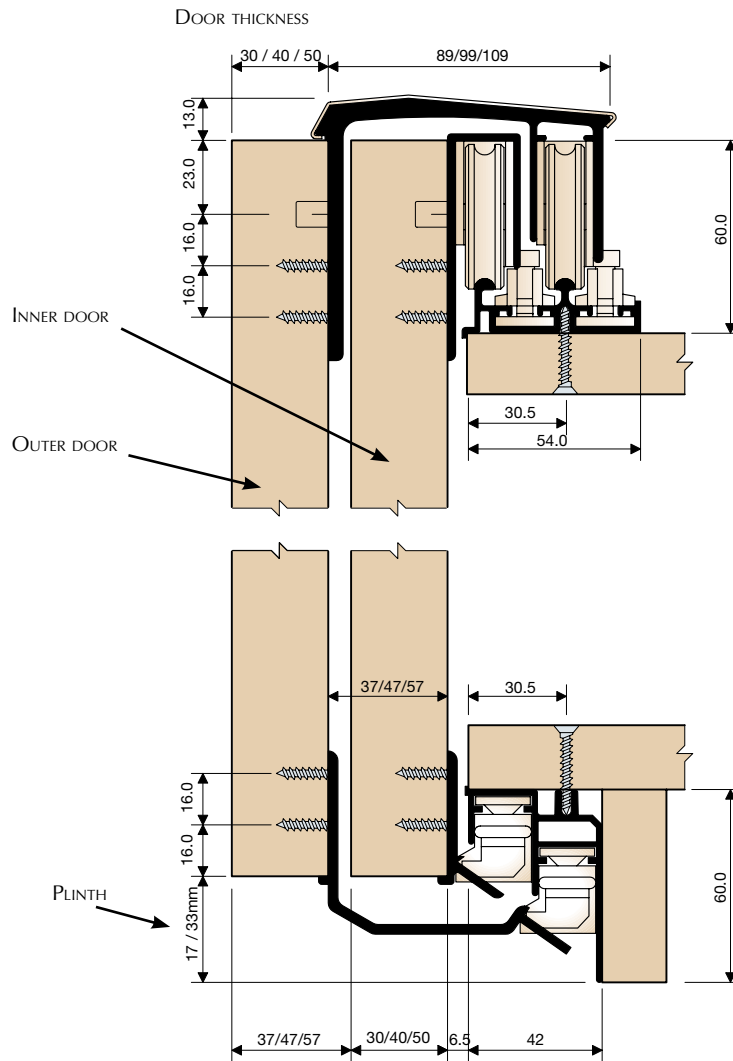
"ALTER SYSTEM" TRACK.

	CUT-TO-MEASURE	
	707.400.503	10

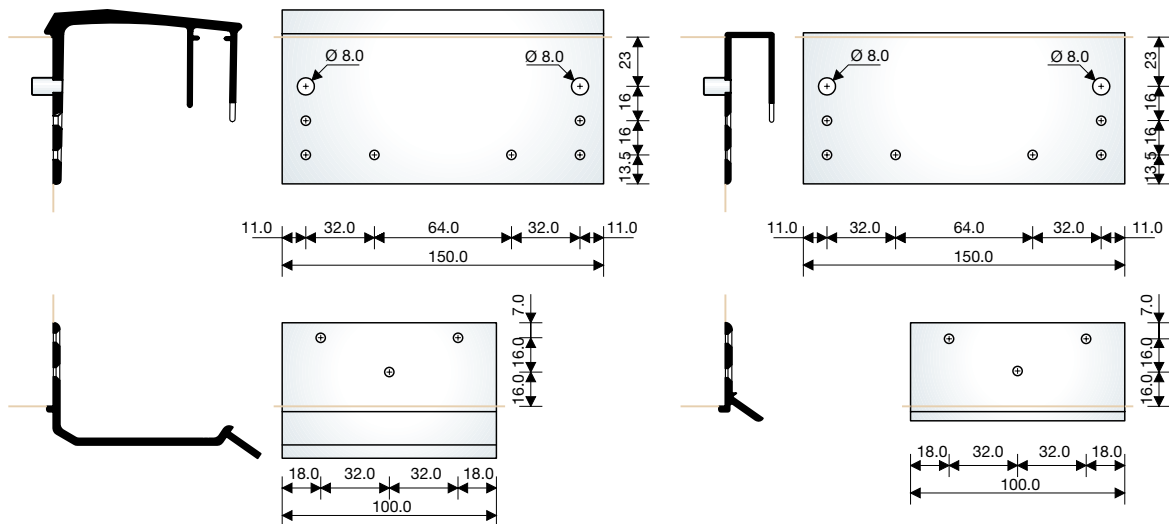


■ TECHNICAL DATA

*Assembling scheme*



*Drilling plan*



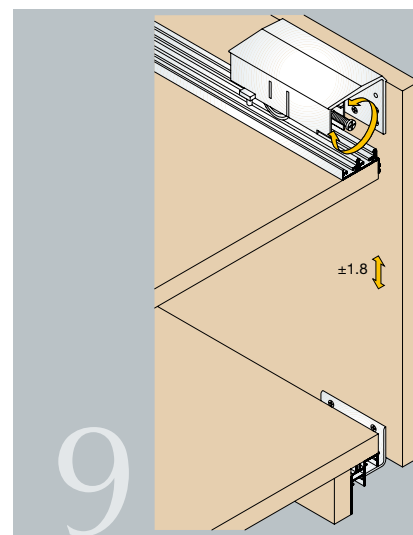
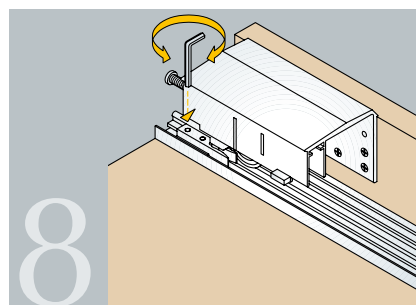
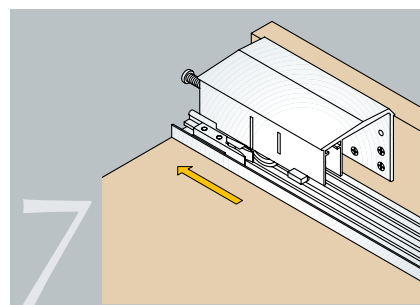
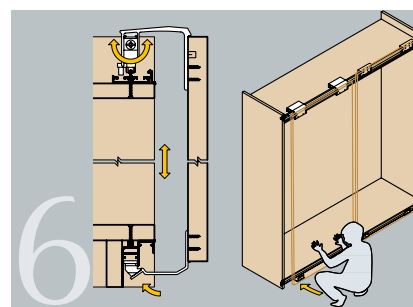
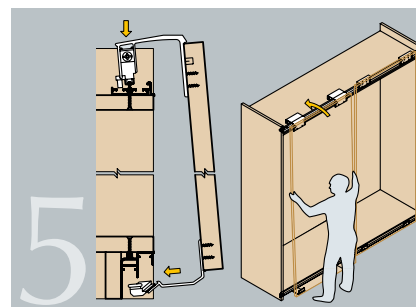
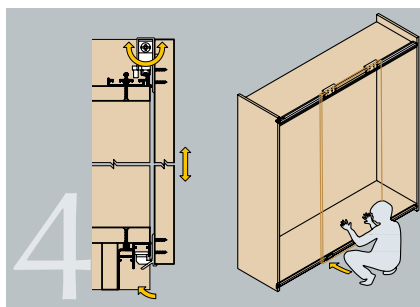
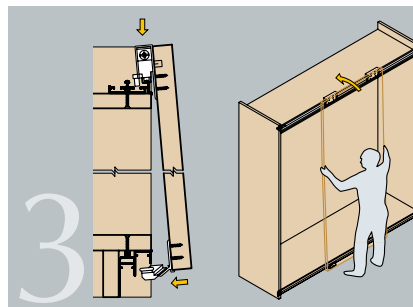
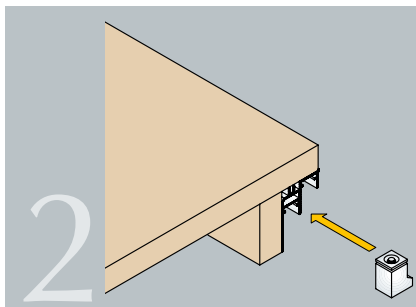
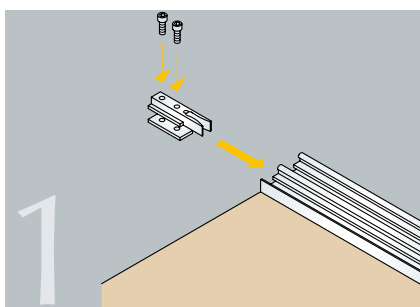
■ TECHNICAL DATA

*Assembly*

PLACE UPPER BRAKES AND LOWER STOPS BEFORE MOUNTING THE TRACK (SEE DIAGRAM 1 AND 2). SCREW TRACKS FROM INSIDE THE WARDROBE FIRST PLACE THE INNER DOORS AND THEN THE OUTER DOORS. PLACE THE DOORS IN THE UPPER TRACK AND THEN PUSH THEM DOWN GENTLY SO THAT THE FITTING IS INSERTED INTO THE LOWER TRACK (SEE DIAGRAM 3 AND 5).

HEIGHT ADJUSTMENT Laterally (SEE DIAGRAMS 4 AND 6).

Fix stops and brakes once the door is mounted. Follow reverse procedure, for dismantling.




## 2 "MASTER MAS"

THE ALUMINIUM SYSTEM ALLOWS FOR 25-30-40-50MM. DOOR THICKNESSES. EACH FITTING HAS TWO DISTANCES FROM THE DOOR TO THE FLOOR 17 AND 33MM.


**INDA**matic  
gradual closing

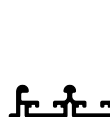
### UPPER TRACK.

	CUT-TO-MEASURE	6 MM. BAR	
NATURAL	707.000.501	707.060.502	6




### HEAVY DUTY UPPER TRACK.

	CUT-TO-MEASURE	6 MM. BAR	
NATURAL	707.100.505	707.160.506	4




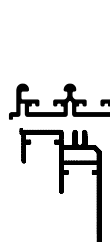
### LOWER TRACK.

	CUT-TO-MEASURE	6 MM. BAR	
NATURAL	707.300.506	707.360.500	4




### SET OF UPPER AND LOWER TRACKS Ø16.

	CUT-TO-MEASURE	
NATURAL	707.200.502	1

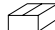


### 30 MM DUST GUARD FOR EXTERIOR DOOR.

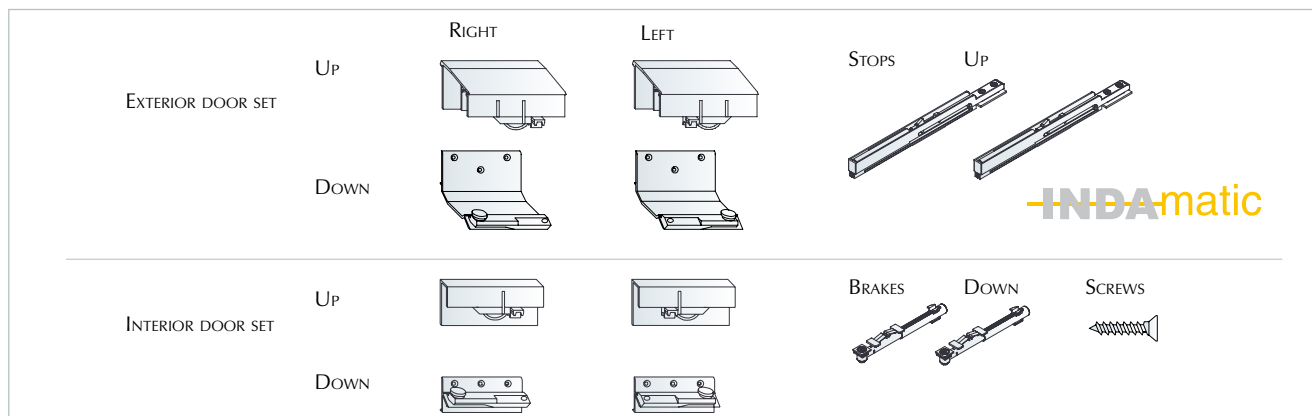
LENGHT		
760	704.908.142	5
860	704.909.144	
960	704.910.146	
1060	704.911.141	



### "MASTER MAS" SET OF FITTINGS.

LOAD	SKIRTING BOARD	INTERIOR DOOR	EXTERIOR 30MM.	EXTERIOR 40MM.	EXTERIOR 50MM.	
50Kg.	17MM.	705.157.106	705.057.102			1
	33MM.	705.150.106	705.050.102			
100Kg.	17MM.	705.167.105	705.067.101	703.840.174		
	33MM.	705.160.105	705.060.101	701.740.174	703.850.335	

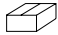
IT CONTAINS THE UPPER AND LOWER ROLLERS, UPPER SELF-CLOSING, LOWER DAMPER AND 18 FIXING SCREWS Ø3.9 X 13 NECESSARY FOR ONE DOOR.

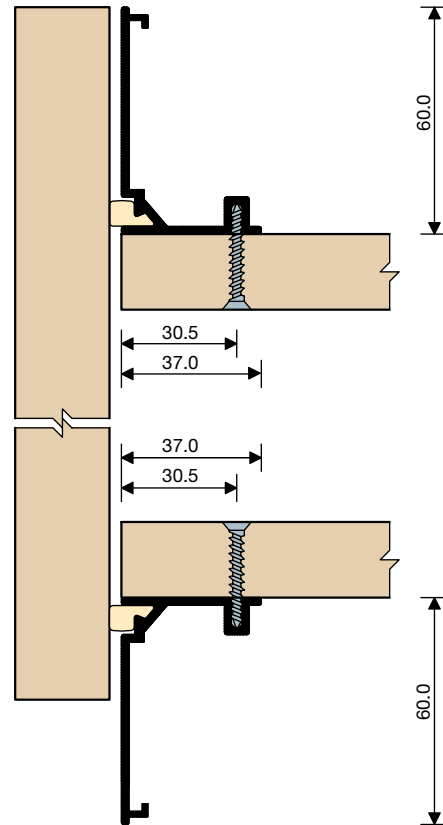
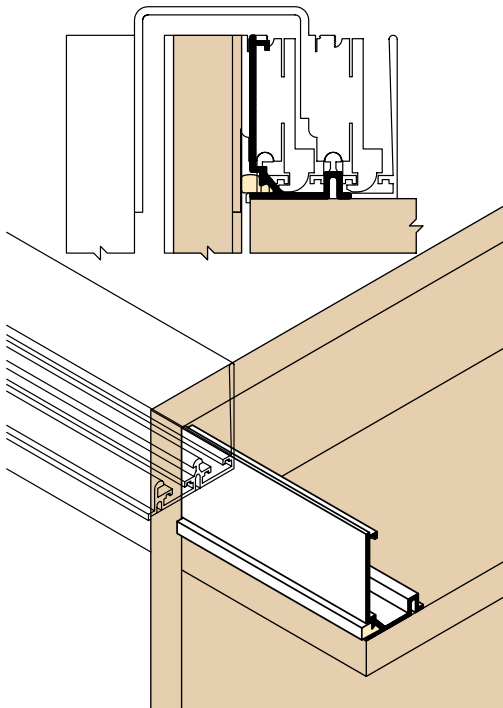
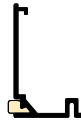


■ "ALTER" SYSTEM

ALUMINIUM TRACK THAT GIVES CONTINUITY TO THE CUPBOARD'S STRUCTURE WHEN LEAF DOORS ARE USED ALONGSIDE SLIDING SYSTEMS.

"ALTER" SYSTEM TRACK.

	CUT-TO-MEASURE	
	707.400.503	10

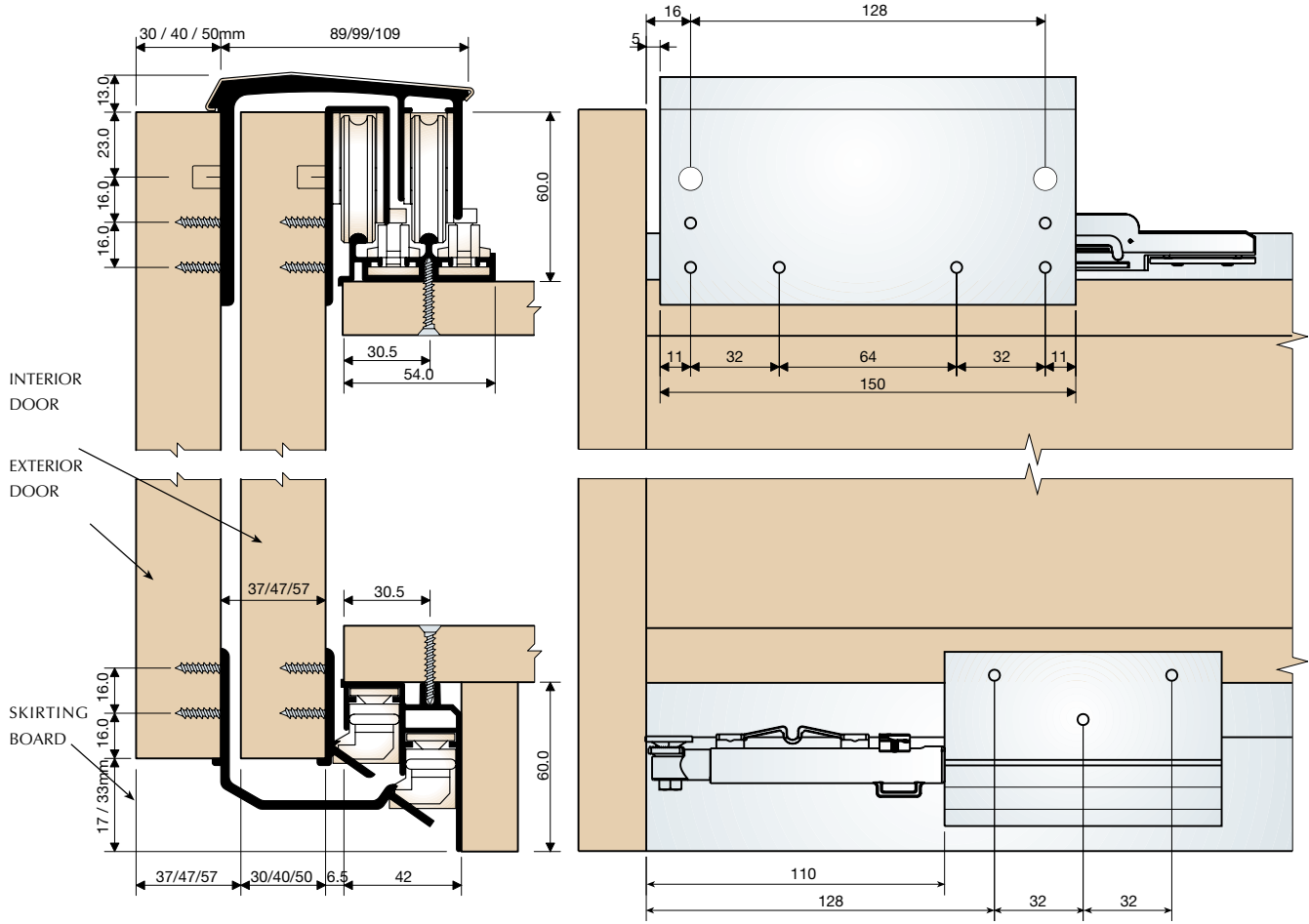




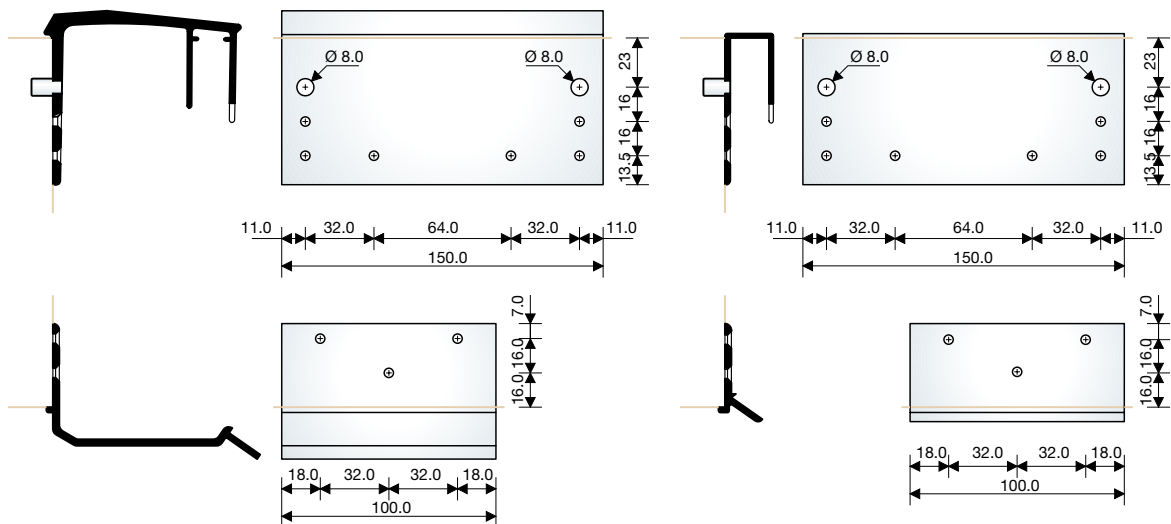
■ TECHNICAL DATA



Assembly diagram



Drilling diagram



■ TECHNICAL DATA



Assembly

ASSEMBLE THE UPPER TRACK. INSERT THE INDAMATIC SELF-CLOSING SYSTEM, PLACING THE SCREWS TOWARDS THE CENTRE OF THE CABINET. (DIAGRAM 1)

(DIAGRAM 1)

SECURE THE SELF-CLOSING SYSTEM IN THE REQUIRED POSITION (NO.2)

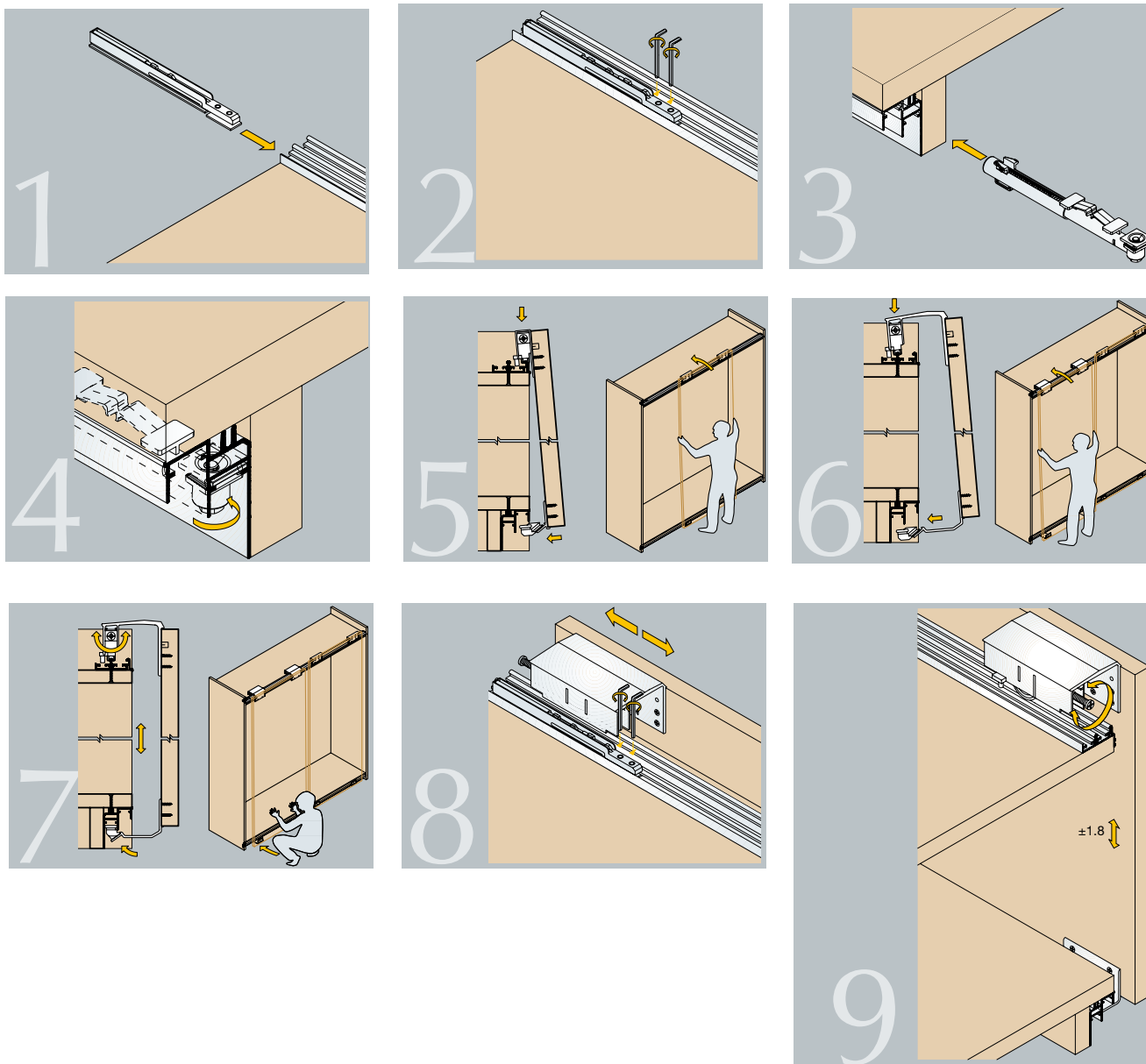
INSERT THE LOWER BRAKE, PLACING THE SCREWS TOWARDS THE EXTERIOR OF THE CABINET. (NO.3) POSITION AND FIX THE LOWER BRAKE. (NO.4)

THE DOORS ARE ASSEMBLED BY PLACING THEM IN THE UPPER TRACK AND THEN PUSHING THEM DOWN GENTLY UNTIL THE FITTING IS INSERTED INTO THE LOWER TRACK. (NO.5, NO.6)

THE DOORS' HEIGHT IS ADJUSTED FROM THE SIDE. (NO.7)

ONCE THE DOORS HAVE BEEN ASSEMBLED AND POSITIONED, ACTIVATE THE CLOSING DEVICE, OPENING AND CLOSING THE DOOR. (NO.8)

THE DISMANTLING PROCESS IS AS THE ASSEMBLY PROCESS BUT IN REVERSE. FIRST RELEASE THE LOWER FITTING AND THEN RAISE THE DOOR TO REMOVE IT.




### 3 "GHOST"

SET OF UPPER AND LOWER TRACKS.

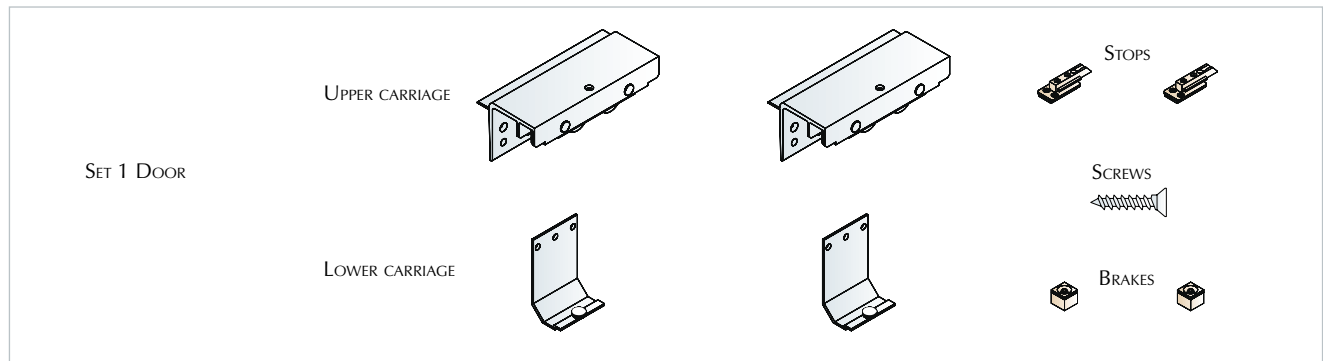
	CUT-TO-MEASURE	
NATURAL	707.700.501	1



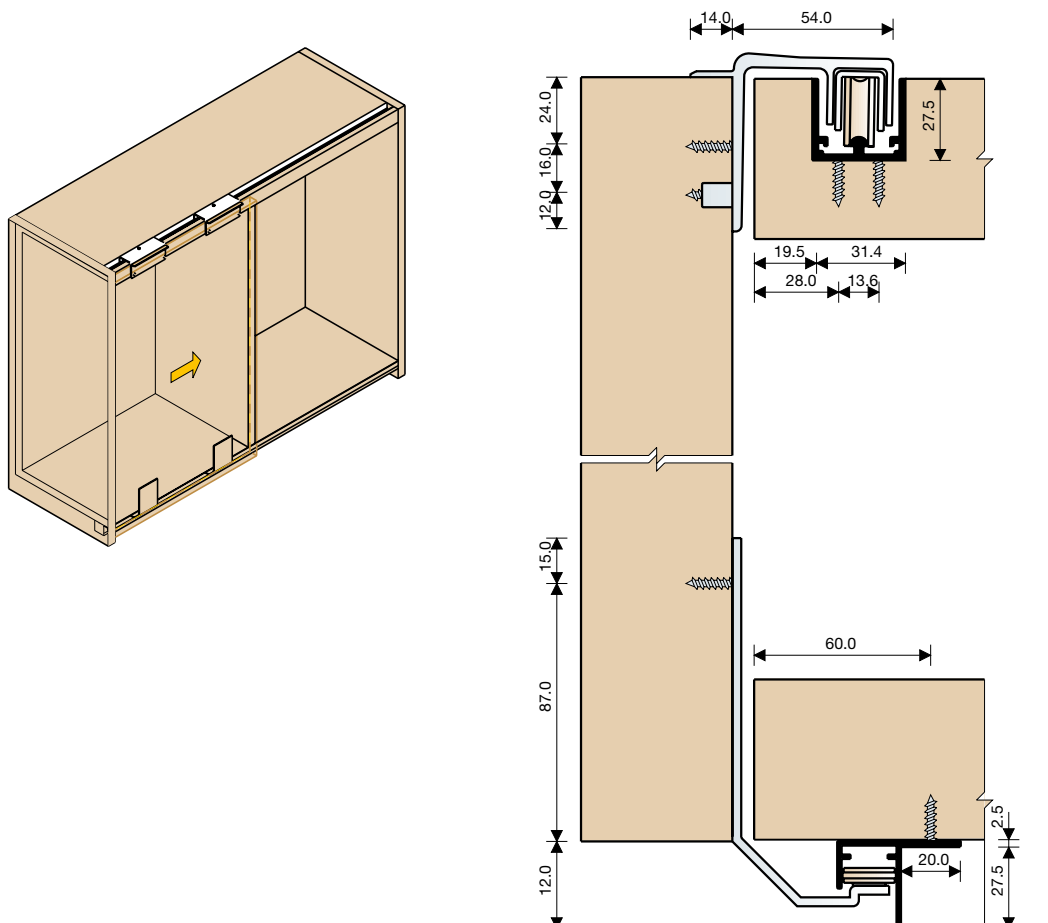
SET OF FITTINGS.

		
1 DOOR	704.700.102	1

IT CONTAINS 2 UPPER ROLLERS AND 2 LOWER CARRIAGES, 2 UPPER BRAKES AND 2 LOWER BRAKES, 1 BAG OF SCREWS NECESSARY FOR ONE DOOR.

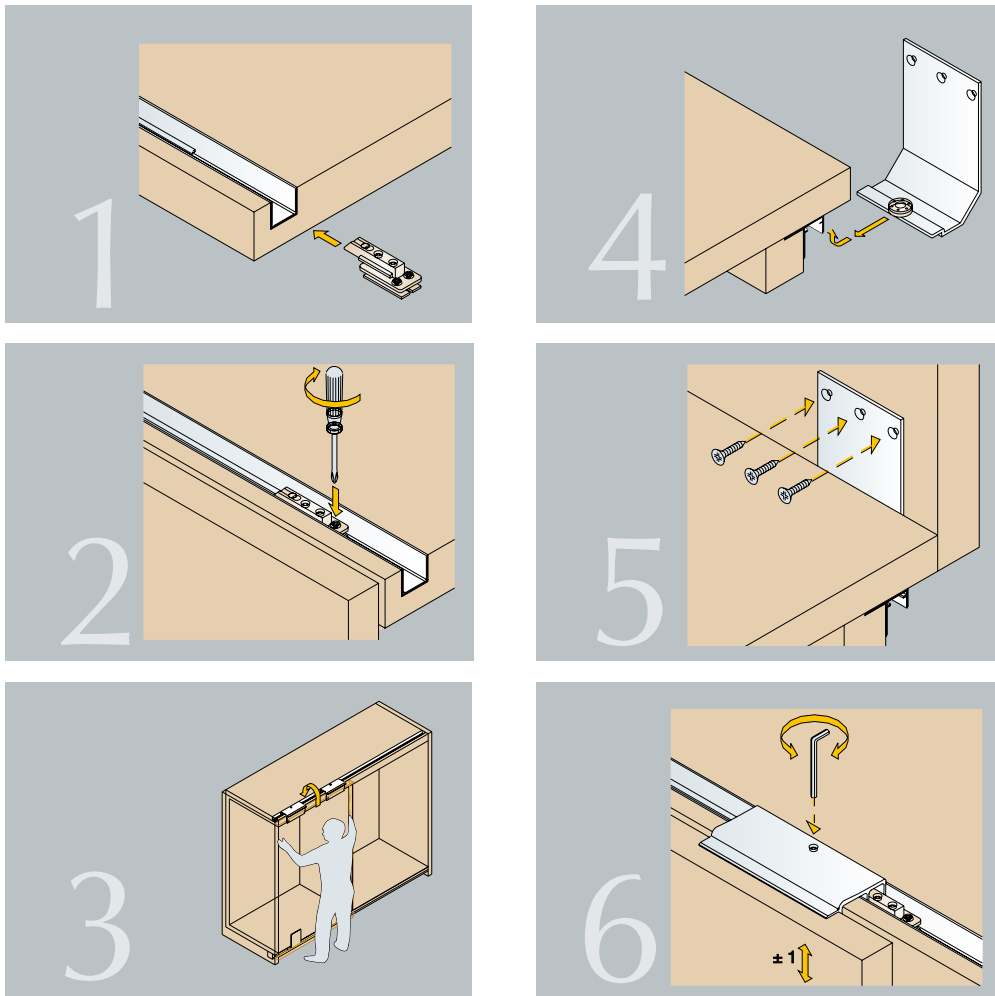


### TECHNICAL DATA



■ TECHNICAL DATA

Assembly



Drilling

